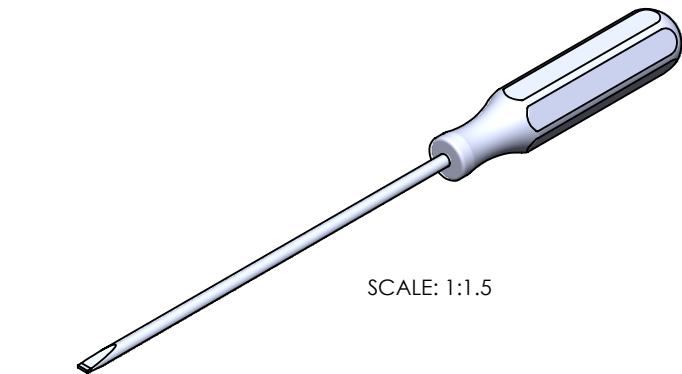
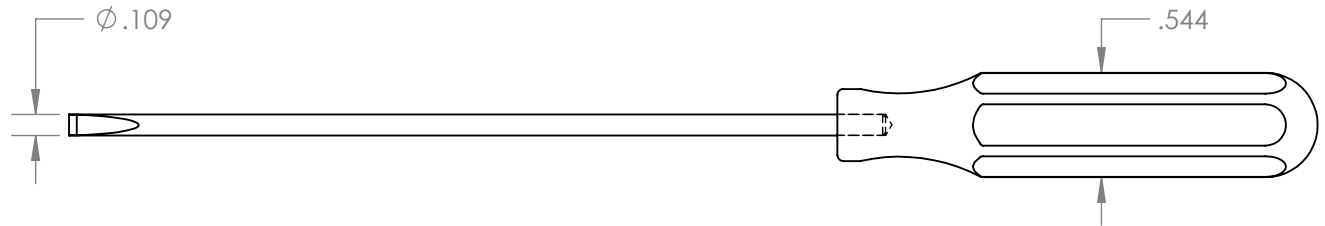


DETAIL A  
SCALE 4 : 1



SCALE: 1:1.5

UNLESS OTHERWISE SPECIFIED:  
DIMENSIONS ARE IN INCHES

TOLERANCES:  
X.XX= ±0.13  
X.XXX= ±0.015  
X.XXXX= -0.0015

	NAME	SIGN	DATE
DRAWN	A.T.		04.25.19
APP'VD			

MATERIAL:  
SHAFT: 465 MAGNETIC S.S.  
HANDLE: 316 NON-MAGNETIC S.S.

**STERITOOL™**  
The Global Source for Stainless Steel Tools

TITLE:  
1/10" PARALLEL TIP SCREWDRIVER  
with STAINLESS STEEL HANDLE

THIS DRAWING IS THE PROPERTY OF STERITOOL, INC. ANY REPRODUCTIONS OR MODIFICATIONS OF THIS DRAWING OR ITS CONTENTS WITHOUT THE CONSENT OF STERITOOL, INC. IS PROHIBITED.

PART NO. 21208

SCALE: 1:1

SHEET 1 OF 1

REV:  
A